

6.0mm Square Tact Switch (Vertical, TH/SMT Type)



TSF-01/02/03/04/05S/T-XXXH

TS - Tact Switch
 F - F Serious
 01 / 02 / 03 / 04 / 13 – Type
 S / T - SMT Type, TH Type
 XXX - Action Force (gram)
 H - With Post (Optional)
 H = 4.3 – 22.0 – High (Optional)

SPECIFICATIONS

Mechanical Life: 300,000 cycles for 90g±50g
 200,000 cycles for 180g±50g
 100,000 cycles for 250g±50g

Operating Force: 90g±50g, 180g±50g, 250g±50g

Travel: 0.25±0.1mm

Rating: 50mA 12V DC

Dielectric withstanding: 250V AC/minute

Insulator resistance: ≥ 100 MΩ at 100V

Contact resistance: ≤ 100 mΩ/Contact

Operating temperature: -30°C ~ +85°C


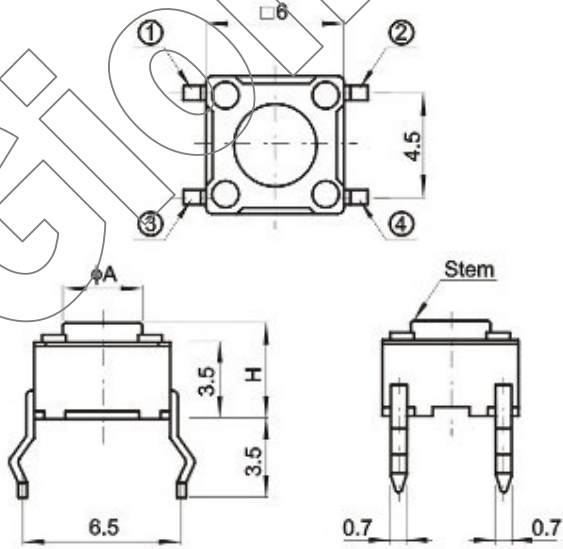
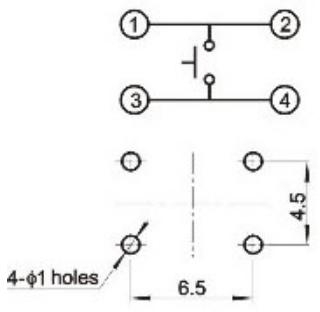
Storage temperature: -40°C ~ +85°C


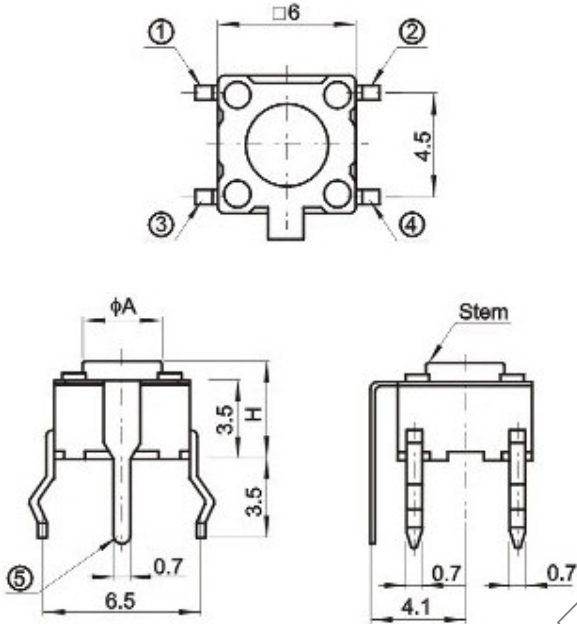
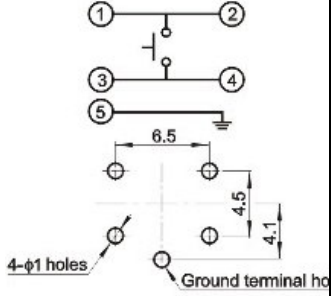

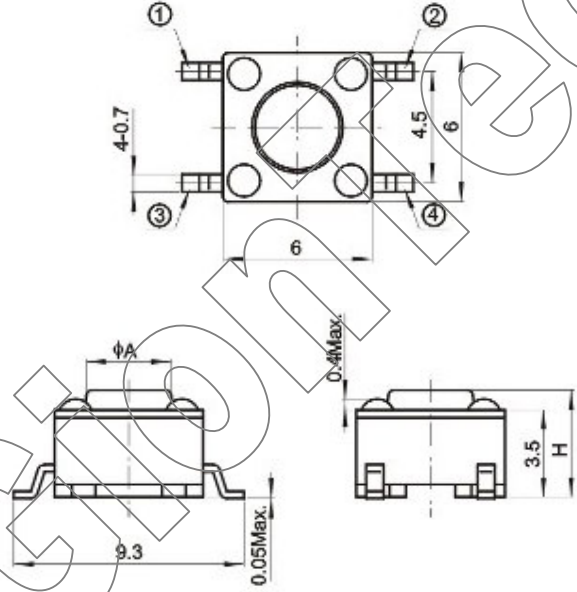
Material

Base: PA66/PA6T/LCP, UL94V-0

Contact material: Phosphor Bronze

Contact Spring Plating: Stainless Steel/Silver Plating

Physical Picture	Outline Drawing	Circuit
 <p>TSF-01T-XXX</p>	 <p>H=4.3-22mm</p>	

 <p>TSF-04T-XXXH</p>	 <p>H=4.3-22mm</p>	
 <p>TSF-02S-XXX</p>	 <p>H=4.3-22mm</p>	